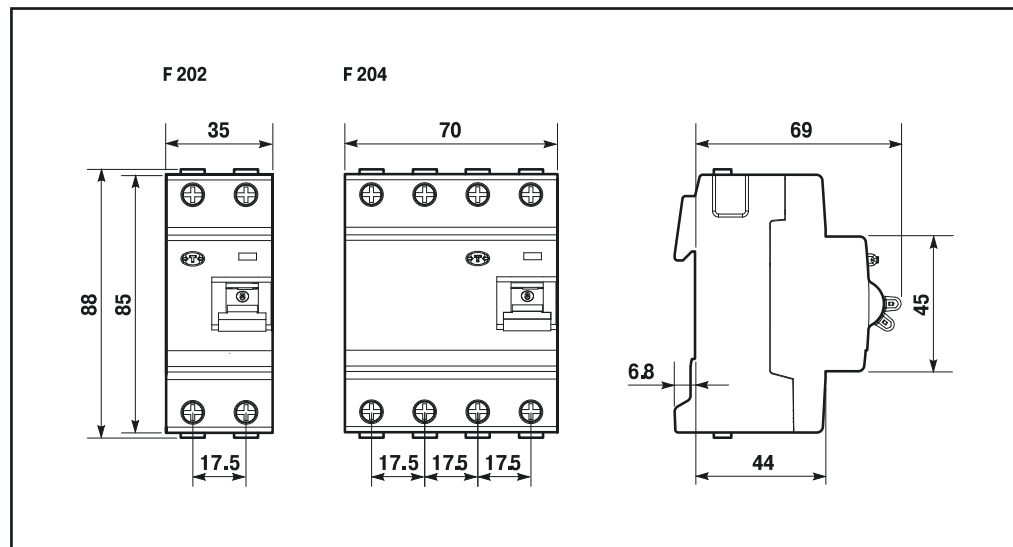




F 200, FH 200



DDA 200

